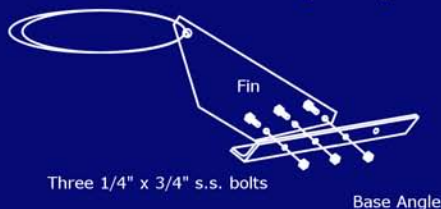


VENTSAVER EZ INSTALLATION METHOD

Mount VentSaver EZ In 3 Easy Steps: Recommended Tools: Impact gun with 5/16" driver, cable cutter, two 7/16" wrenches, and a caulk gun.

Step 1:

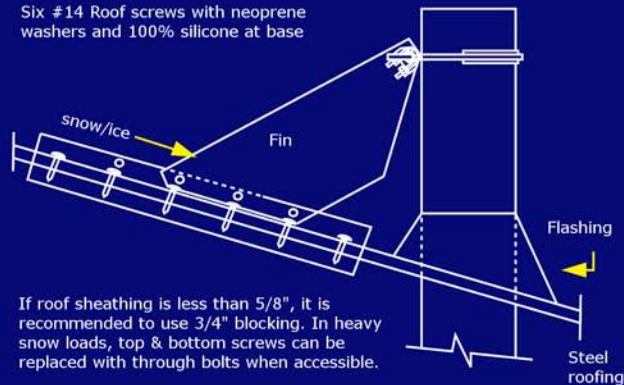


Step 3:



Step 2:

Six #14 Roof screws with neoprene washers and 100% silicone at base



If roof sheathing is less than 5/8", it is recommended to use 3/4" blocking. In heavy snow loads, top & bottom screws can be replaced with through bolts when accessible.

- 1. Attach FIN to BASE ANGLE** - Assemble with three 1/4" x 3/4" s.s. bolts. **NOTE:** In case of rib obstruction, base angle is reversible.
- 2. BASE Installation** - Put sealant on bottom of base angle. Fasten base to roof with the six 2" #14 Roof screws with neoprene washers and 100% silicone at base. (Some roofs may require longer screws)
- 3. STRAP Installation** - Thread cable around pipe or vent and cross both ends back through the hole at the top of the base fin. Pull tightly on both ends to create a snug hold before tightening the bolts on the provided u-clamps on either side of the fin. Cut off excess cable. For PVC vent pipes, it is recommended to cut off 2" to 3" above the VentSaver. **NOTE:** For smaller applications, the stainless steel shoulder strap on the cable is not necessary
- 4. Double check ALL fasteners for tightness!**

Warranty: The following warranty is made in lieu of all other warranties expressed or implied. Recommendations for proper use of the product are based on tests believed to be reliable. Any goods proven to be defective due to materials will be replaced, or purchase price refunded, but in no event shall the manufacturer be responsible for damages in excess of the purchase price. User shall determine the suitability of the product for its intended use and assumes all risks of its use or handling.

www.SnoBlox-Snojax.com

Call 1-800-SNOJAX-1

www.MetalRoofSnowGuards.com